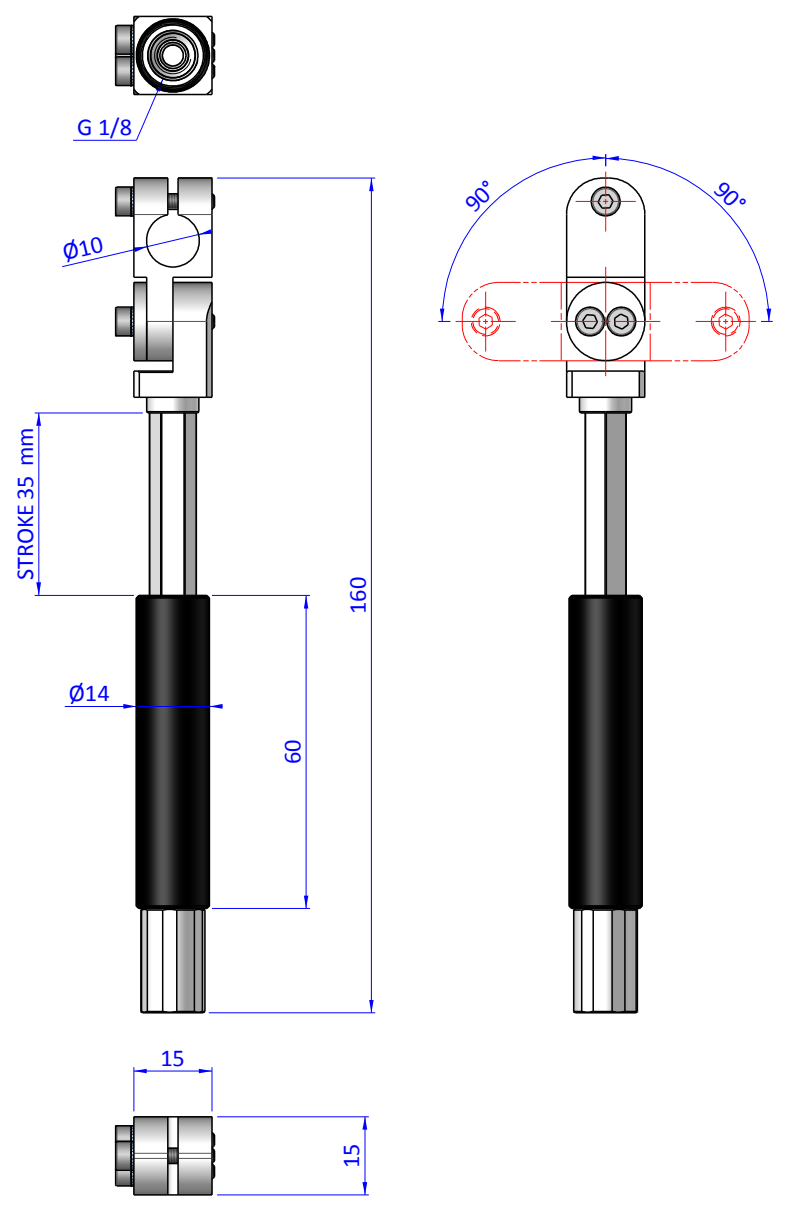
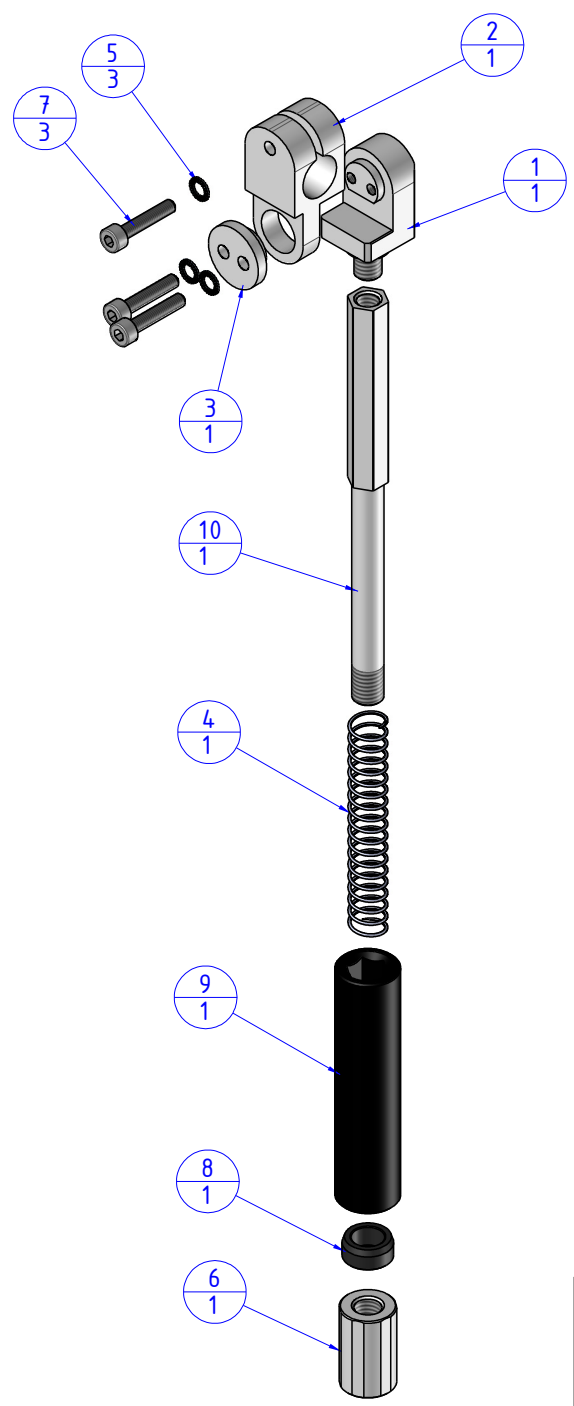


THE PROPERTY OF THE DRAWING IS ESTABLISHED BY LAW. IT IS FORBIDDEN TO PRODUCE OR SHOW IT TO THIRD PARTY, WITHOUT A WRITTEN AGREEMENT.

Object Number	Name	QTY
1	GRZ.142010.1	1
2	GVR.10.2	1
3	GVR.10.3	1
4	M.8.5X48.50.1	1
5	R.3.SCH	3
6	VSN.14.1	1
7	V.TCE3x16	3
8	VSN.1420.3	1
9	VSN.1435.2.1	1
10	VSN.1435.4	1



Format A3
UNI 936-76

		DESIGNED FROM	REVIEW
		FP SERVICES	A
GENERAL TOLERANCE	DESCRIPTION	DATE	WEIGHT
UNI - ISO 2768	CA.SMN.143510	06/02/2019	0,050kg
CLASSE f		CODE	CA.SMN.143510